

UNDER PRESSURE

Issue 020 - August 2010

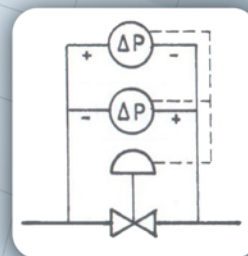
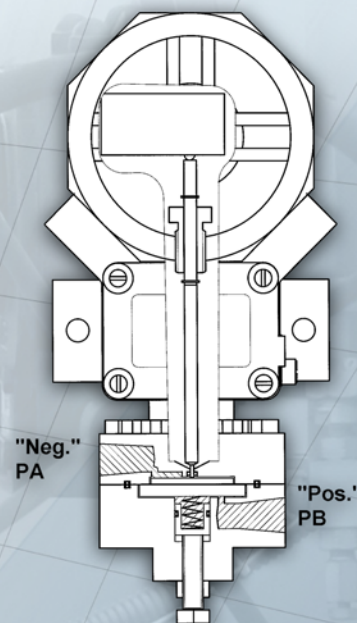
Double Differential Switch

Provides Safety Solution for Major North American Pipeline Company

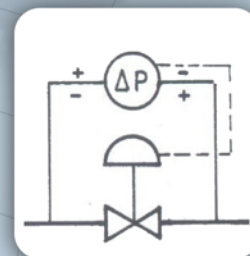
The unique design of the BETA Double Differential, bi-directional D.P. switch provides pipelines with improved safety, as well as cost and maintenance savings.

A major North American pipeline company was using traditional differential pressure switches to detect upsets in pressures and changes in differential pressures near valves. The BETA Double Differential is a single switch which is specifically designed for safe guarding high pressure pipeline valves from being opened with too high of a differential pressure from either side. Traditional D.P. switches do not have this bi-directional feature and require two switches. The high pressure may be detected at either side of the switch and can be adjusted with a differential set point between 0.1-1.5 bar (1.4psi-27.7 psi)/ 0.1-3.5 bar (1.4-50.7psi) at a working pressure of 200 barg (2900.7 psi). to perform the same level of protection.

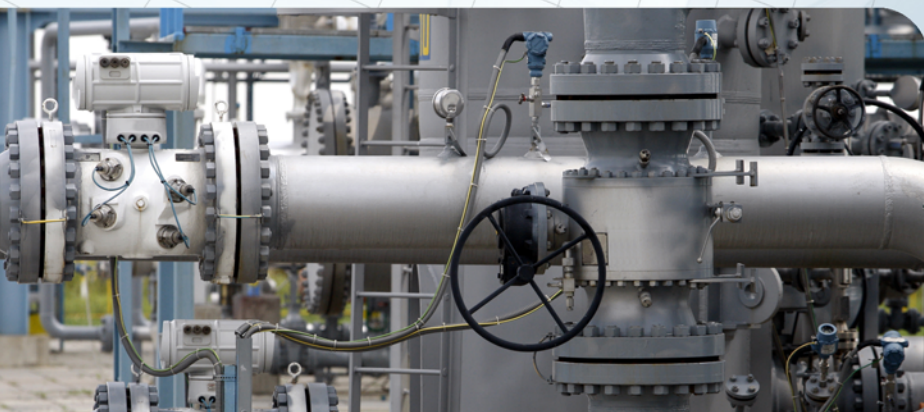
The pipeline company saw the benefits of the switch, which has been used for years in European pipeline applications. Using the BETA switch has allowed them to substantially reduce the number of switches required for safety monitoring as well as the maintenance cost associated with these systems. BETA switches also provide a SIL2 rating which is also very important to Industry. As a result of the savings provided by the retrofitment to BETA switches, the pipeline company has decided to standardize on BETA W series Double Differential switches to protect their pipeline valve systems throughout North America.



The "Old" Way



*The "New" Way with
BETA Double Differential*



For more information please contact BETA BV at: sales@beta-b.nl
Winston N. Landymore | Product Manager | 225.673.6100 Ext. 163
E-Mail: wlandymore@ktekcorp.com